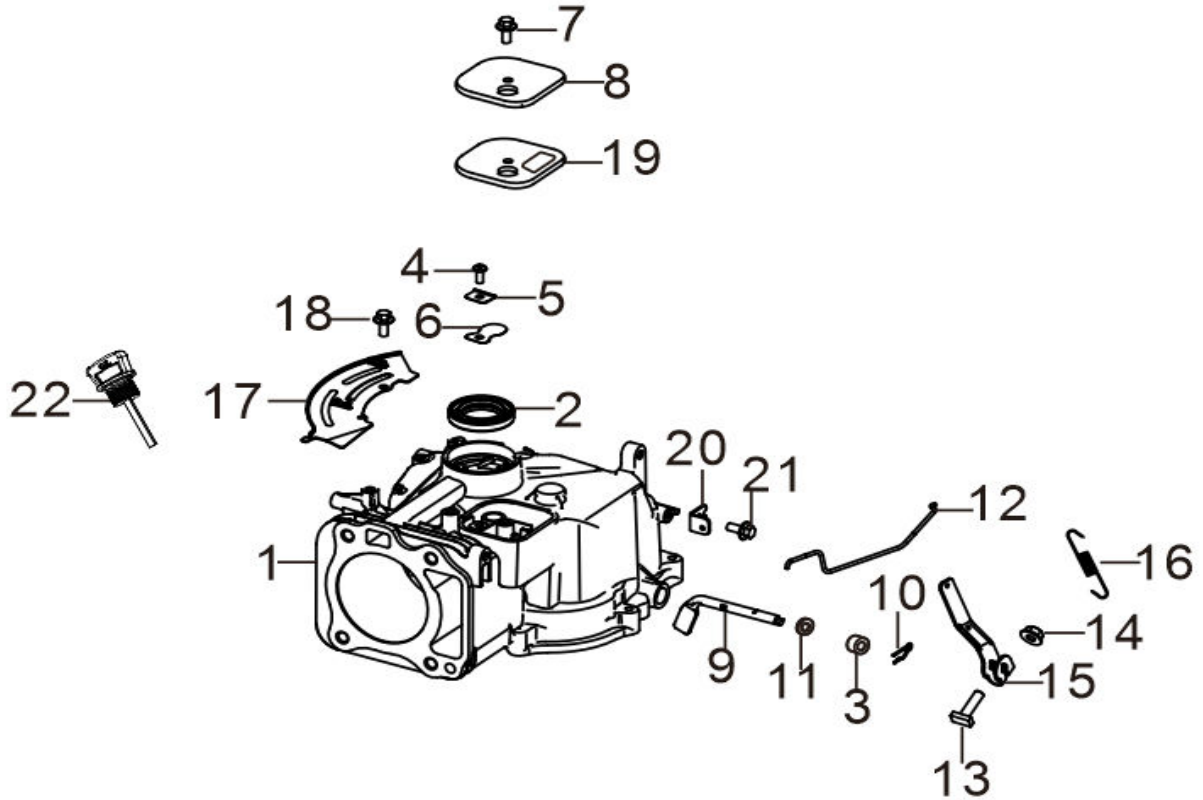


# FA51SP

## RMS51Q-V170

### FIG.1 CRANKCASE. / GEAR ASSY, GOVERNOR. (E01)



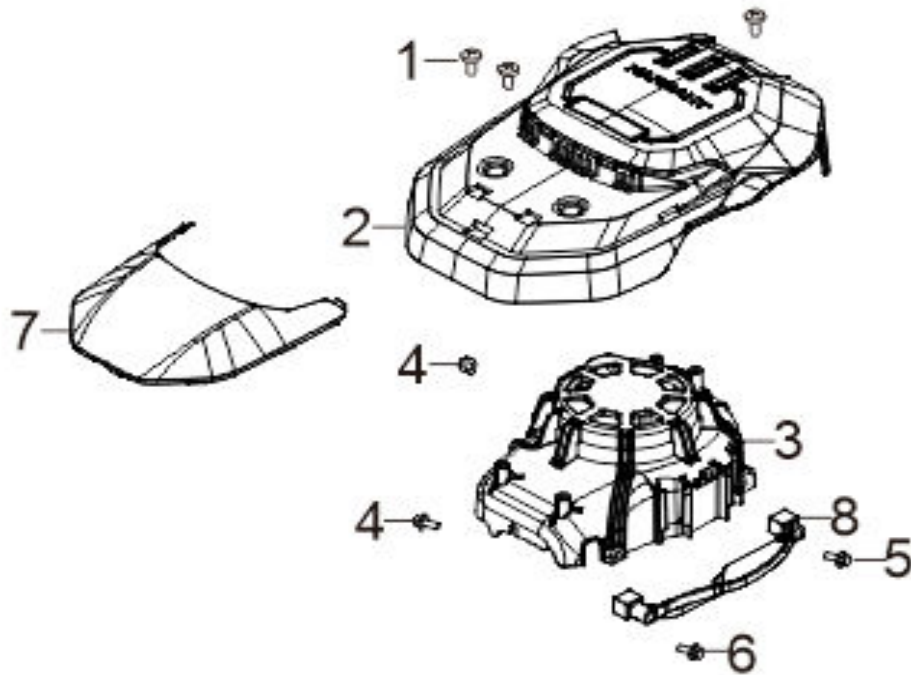
REF.NO. 序号	PART NO 物料代码	DESCRIPTION 英文名	Q'TY 数量
E01-1	11310-Z3C0115-00A1	Crankcase Subassembly.	1
E01-2	90682-Z240110-00A0	Seal, Oil	1
E01-3	90682-Z030210-00A0	Seal, Oil	1
E01-4	90103-0410-51A0	Cross-Recessed Pan Head Screw	1
E01-5	11337-Z2P0110-00A0	Breath Sheet Stop Plate	1
E01-6	11321-Z2P0110-00A0	Breath Sheet	1
E01-7	90007-0512-A1A0	Bolt	1
E01-8	11333-Z2P0110-00A0	Plate, Breath Groove Cover	1
E01-9	16061-Z2P0110-00A0	Arm, Governor	1
E01-10	90501-Z010110-00A0	Cotter Pin	1
E01-11	90412-Z870210-00A0	Flat Washer	1
E01-12	16062-Z2P0110-00A0	Rod, Governeor	1
E01-13	16072-Z010110-00A0	Bolt, Governor Support	1
E01-14	90305-0600-31A0	Hexagon Nut With Flange	1
E01-15	16070-Z2P0110-00A0	Governor Bracket Subassembly	1
E01-16	16063-Z2P0110-00A0	Spring, Governor	1
E01-17	19308-Z2P0111-00A0	Body Left Shield	1
E01-18	90007-0512-A1A0	Bolt	1
E01-19	11332-Z3C0110-00A0	Gasket, Breath Groove	1
E01-20	16561-Z2P0110-00A0	Throttle Operating Bottom Plate	1
E01-21	90007-0512-A1A0	Bolt	1
E01-22	15010-Z2P0110-Q2A0	Dipstick Subassembly, Oil	1





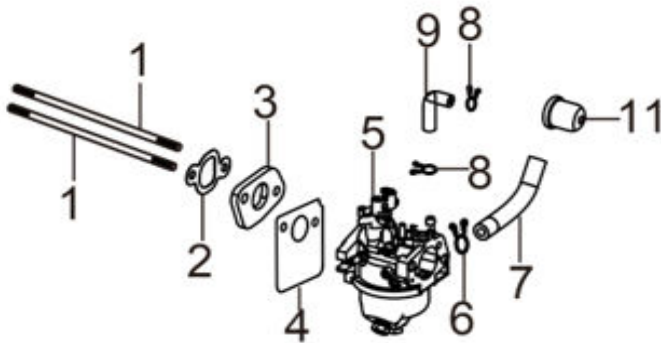


## FIG.5 STARTER,RECOIL (E05)



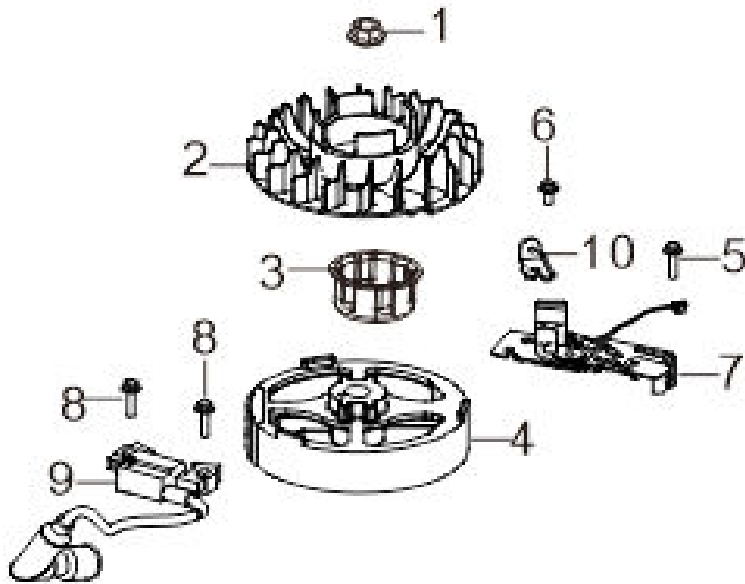
REF.NO. 序号	PART NO 物料代码	DESCRIPTION 英文名	Q'TY 数量
E05-1	90124-Z2P0210-01A0	Self-Tapping Screw	3
E05-2	80082-Z2P0410-Q2A0	Engine Housing Body	1
E05-3	28200-Z2P1210-Q2A0	Starter Assy, Recoil	1
E05-4	90007-0520-A1A0	Hexagon Socket Flange Face Bolt - Big Series - Grade	2
E05-5	90007-0535-A1A0	Hexagon Socket Flange Face Bolt - Big Series - Grade	1
E05-6	90007-0525-A1A0	Hexagon Socket Flange Face Bolt - Big Series - Grade	1
E05-7	80075-Z2P0810-WM00	Coping, Engine Couter Cover	1
E05-8	19309-Z2P0110-00A0	Body Right Shield	1

## FIG.6 CARBURETOR ASSY (E06)



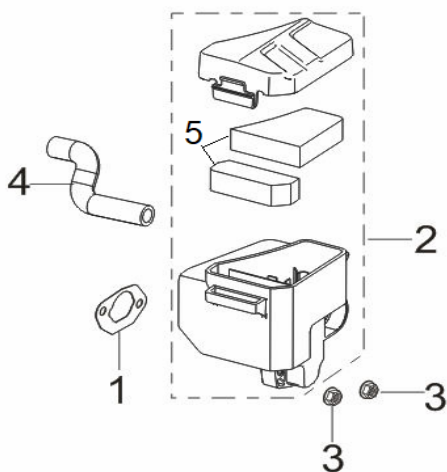
REF.NO. 序号	PART NO 物料代码	DESCRIPTION 英文名	Q'TY 数量
E06-1	90204-Z010210-01A0	Stud Bolt	2
E06-2	17002-Z2P0110-00A0	Gasket, Inlet	1
E06-3	16003-Z2P0110-00A0	Plate, Carburetor Insulator	1
E06-4	16004-Z2P0110-00A0	Gasket, Insulator Plate	1
E06-5	16100-Z3C0410-00M0	Carburetor Assy.	1
E06-6	90685-1000-01A0	Pipe Clamp	1
E06-7	90686-Z2P0810-00M0	Tube, Fuel	1
E06-8	90685-0700-01A0	Pipe Clamp	2
E06-9	16211-Z2P0310-00A0	Tube, Starting Riched Valve	1
E06-11	16210-Z2P0110-00A0	Valve, Starting Riched	1

## FIG.7 FLYWHEEL / IMPELLER / IGNITION (E10)



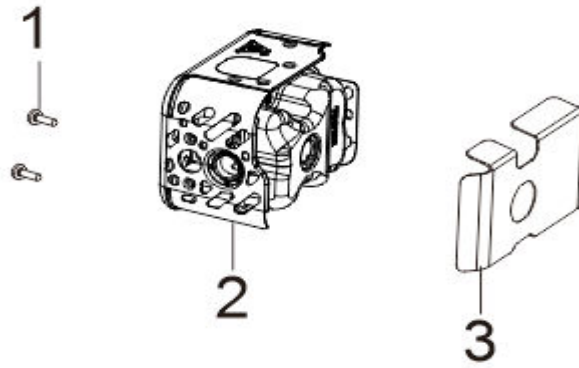
REF.NO. 序号	PART NO 物料代码	DESCRIPTION 英文名	Q'TY 数量
E10-1	13501-Z010110-00A0	Nut, Flywheel	1
E10-2	19352-Z2P0610-00A0	Impeller	1
E10-3	28002-Z2P0310-01A0	Pulley, Starter	1
E10-4	13510-Z2P0611-00A0	Flywheel Subassembly	1
E10-5	90007-0520-A1A0	Hexagon Socket Flange Face Bolt - Big Series - Grade	1
E10-6	90007-0514-A1A0	Hexagon Socket Flange Face Bolt - Big Series - Grade	1
E10-7	45200-Z2P0413-00A1	Brake Assy.	1
E10-8	90007-0525-A1A0	Hexagon Socket Flange Face Bolt - Big Series - Grade	2
E10-9	30400-Z2P0110-00A0	Coil, Ignition	1
E10-10	30029-Z2P0110-00A0	Lug, Shroud	1

## FIG.8 CLEANER, AIR (F01)



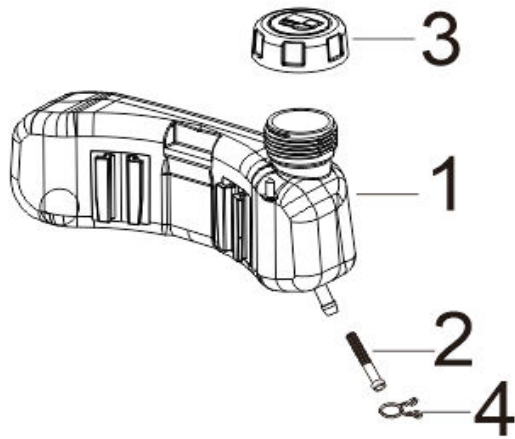
REF.NO. 序号	PART NO 物料代码	DESCRIPTION 英文名	Q'TY 数量
F01-1	17001-Z2P0110-00A0	Air Cleaner Seal Gasket	1
F01-2	17100-Z2P0810-00A0	Air Cleaner	1
F01-3	90305-0600-31A0	Hexagon Nut With Flange	2
F01-4	17004-Z2P0610-00A0	Tube, Breather	1
F01-5	FA8-E-250018	Airfilter 17100-Z2P0810-00A0	1

## FIG.9 MUFFLER ASSY (F02)



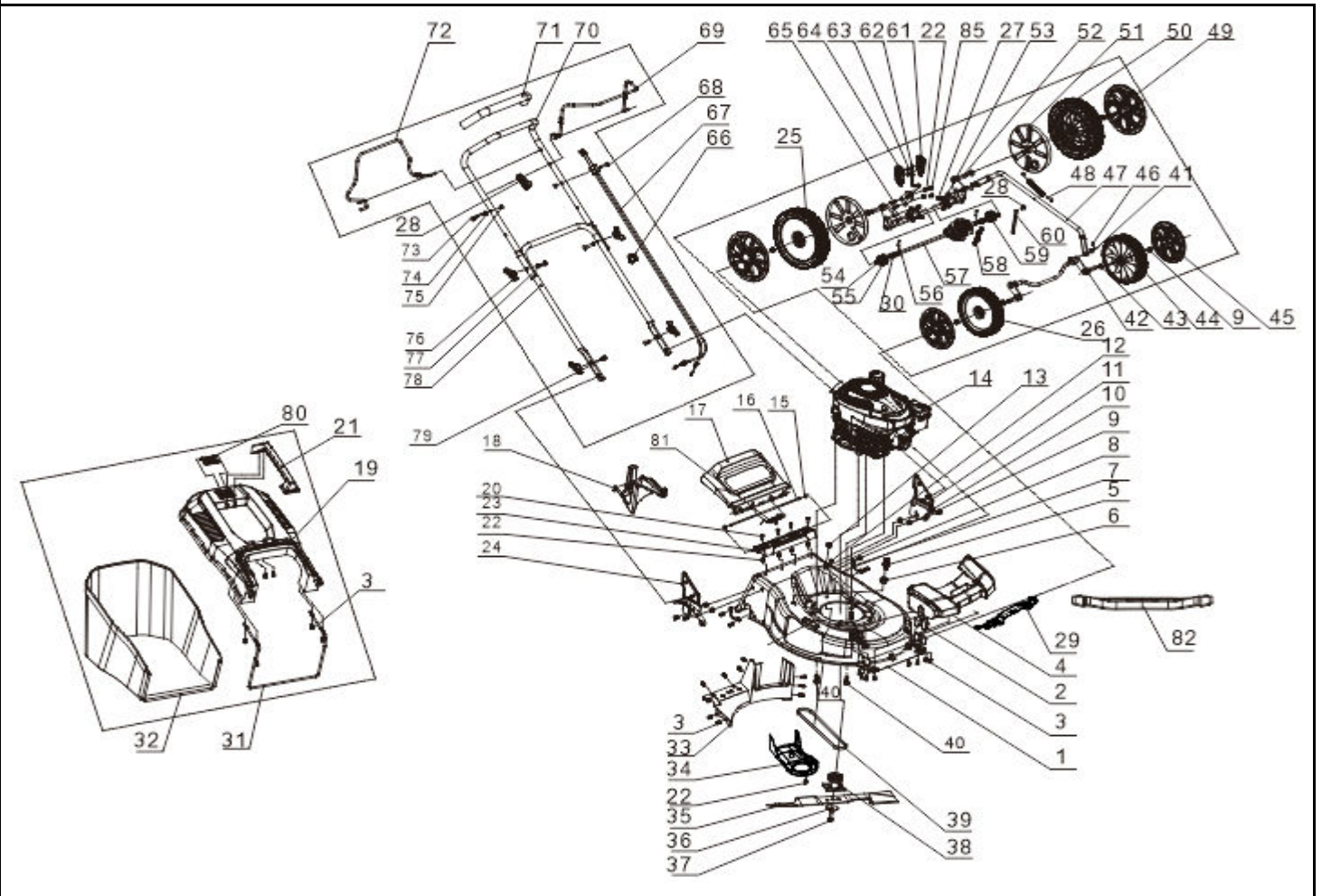
REF.NO. 序号	PART NO 物料代码	DESCRIPTION 英文名	Q'TY 数量
F02-1	90001-0616-01A0	Hexagon Socket Flange Face Bolt - Small Series	2
F02-2	18100-Z2P1711-00A0	Muffler Assy.	1
F02-3	18020-Z2P0112-00A0	Plate, Muffler Insulator	1

## FIG.10 TANK ASSY FUEL (F03)



REF.NO. 序号	PART NO 物料代码	DESCRIPTION 英文名	Q'TY 数量
F03-1	16600-Z2P0210-Q2A0	Tank Assy, Fuel	1
F03-2	16652-Z030110-00A0	Strainer, Fuel	1
F03-3	16730-Z250210-00A0	Cover, Fuel Tank	1
F03-4	90685-1000-01A0	Pipe Clamp	1

**FIG.11 (F04)**



REF.NO. 序号	PART NO 物料代码	DESCRIPTION 英文名	Q'TY 数量
F04-1	75001-G080310-WK00	Deck	1
F04-2	44033-G030110-Q2A0	Front Axle Plank	2
F04-3	90120-5016-03	Hybrid Cross Recessed Pan Head Tapping Screws	23
F04-4	79243-G420110-WM00	Hood	1
F04-5	79277-G080110-Q2A0	Washing Nozzle	1
F04-6	13501-Z010110-00A0	Nut, Flywheel	1
F04-7	42005-G030110-00A0	Rear Axle Plank	2
F04-8	90027-0612-56	Hexagon Head Self-Extrusion Screw	4
F04-9	90308-0800-31A0	Type 2 Non-Metallic Insert Hexagon Lock Nut With F	8
F04-10	90028-0816-01	Grade B Small Half Round Head Low Square Neck Bo	4
F04-11	79236HG130110-H7A0	Left Handle Support	1
F04-12	90028-0616-01	Grade B Small Half Round Head Low Square Neck Bo	1
F04-13	90737-G030110-Q2A0	Cable Sheath	1
F04-14	R0G0Z3C08U-0000001	Engine	1
F04-15	90575-0500-0601	Split Washer	4
F04-16	79259-G030110-00A0	Rear Deflector Plank	1
F04-17	79257-G030110-WM00	Rear Deflector	1
F04-18	79211-G030110-Q2A0	Rear Mulching Plug	1
F04-19	79252-G030110-WM00	Straw Box Upper Cover	1
F04-20	90103-0612-5101	Cross-Recessed Pan Head Screw	4
F04-21	79253-G030110-Q2A0	Straw Box Handle	1
F04-22	90308-0600-31	Type 2 Non-Metallic Insert Hexagon Lock Nut With F	7
F04-23	79244-G030110-Q2A0	Fender Black	1
F04-24	79237HG070110-H7A0	Right Handle Support	1
F04-25	40205-G420110-Q2A0	Wheel, Transportation	1

REF.NO. 序号	PART NO 物料代码	DESCRIPTION 英文名	Q'TY 数量
F04-26	40206-G420310-Q2A0	Push Wheel	1
F04-27	90001-0610-01A0	Hexagon Socket Flange Face Bolt - Small Series	4
F04-28	79441-G420110-Q2A0		1
F04-29	79287-G420110-Q2A0	Comb Grass Plate	1
F04-30	90412-YBW0210-01A0	Flat Washer	2
F04-31	79255-G030110-H6A0	Straw Box Support	1
F04-32	79256-G030110-00BJ	Straw Box Lower Bag	1
F04-33	79239-G030110-Q2A0	Rear Air Path	1
F04-34	79265-G030110-00A0	Belt Cover	1
F04-35	73101-G080110-00A0	Blade	1
F04-36	90419-G030110-0000	Disc Washer	1
F04-37	90007-Z2P0310-00A0	Hexagon Socket Flange Face Bolt - Big Series - Grade	1
F04-38	73002-G070110-00A0	Blade Adapter	1
F04-39	90566-1074-0001	V Adapter	1
F04-40	90039-0825-0101	Bolt	2
F04-41	90408-0800-E108	Flat Washer - Grade A	2
F04-42	44020HG420110-H700	Shaft, Front Wheel	1
F04-43	90405-G130110-0000	Wave Elastic Washer	4
F04-44	40206-G420410-Q2A0	Push Wheel	1
F04-45	40207-G420210-WM00	Wheel Cover	2
F04-46	90501-0220-0108	Cotter Pin	2
F04-47	79262-G030110-H7A0	Cutting Height Lever	1
F04-48	79263-G030111-00A0	Cutting Height Spring	1
F04-49	40207-G420110-WM00	Wheel Cover	2
F04-50	40205-G420210-Q2A0	Wheel, Transportation	1
F04-51	40204-G030110-Q2A0	Dust Wheel Cover	2
F04-52	42002HG030110-0000	Shaft, Rear Wheel	1
F04-53	51179-G030110-Q2A0	Shaft Sleeve	2
F04-54	90573-1200-06	Circlip For Shaft - Type A	4
F04-55	40202-G030210-00A0	Gear Pinion	1
F04-56	40203-G030110-00A0	Gear Pinion Pin	2
F04-57	24300-G030110-00A0	Retarder Part	1
F04-58	79266-G030110-00A0	Extension Spring	1
F04-59	40202-G030110-00A0	Gear Pinion	1
F04-60	90684-Z030120-00A0	Wire Clip	1
F04-61	79261-G030210-Q2A0	Cutting Height Lever Sleeve	1
F04-62	79275HG030110-00A0	Cutting Height Lever	1
F04-63	90107-4295-01A0	Cross-Recessed Pan Head Self-Tapping Screw	2
F04-64	79261-G030110-Q2A0	Cutting Height Lever Sleeve	1
F04-65	90005-0616-01A0	Hexagonal Head Bolt - Full Thread	2
F04-66	90684-U070111-0000	Wire Clip	1
F04-67	79230-G080110-00A0	Brake Cable	1
F04-68	90211-G080110-00A0	Hexagon Socket Flange Face Bolt - Big Series - Grade	1
F04-69	79224-G420110-H7A0	Brake Lever	1
F04-70	79223-G080110-H7A0	Upper Handle	1
F04-71	54101-G030110-R801	Sleeve, Handle Rubber	1
F04-72	79225-G420110-H7A0	Drive Lever	1
F04-73	79278-G080110-00A0	Bent Rope Bolt	1
F04-74	90305-0600-3108	Hexagon Nut With Flange	1
F04-75	90314-0600-31	Acorn Hexagon Nuts	2
F04-76	79226-G080110-Q2A0	Fast Screw	4
F04-77	90031-G080110-0000	Special-Shaped Bolts	2
F04-78	79231-G130110-H7A0	Inferior Handle	1

REF.NO. 序号	PART NO 物料代码	DESCRIPTION 英文名	Q'TY 数量
F04-79	90029-G080210-00A0	Half Round Head Square Neck Bolt	2
F04-80	79254-G030110-Q2A0	Straw Box Indicating Door	1
F04-81	79258-G030110-00A0	Rear Deflector Spring	1
F04-82	80153-G420110-Q2A0	Handle	1